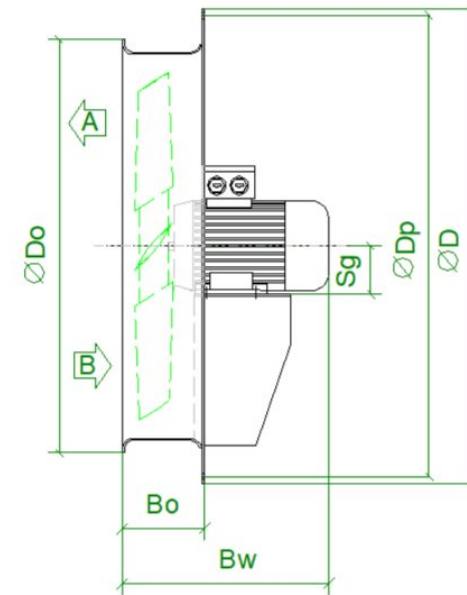
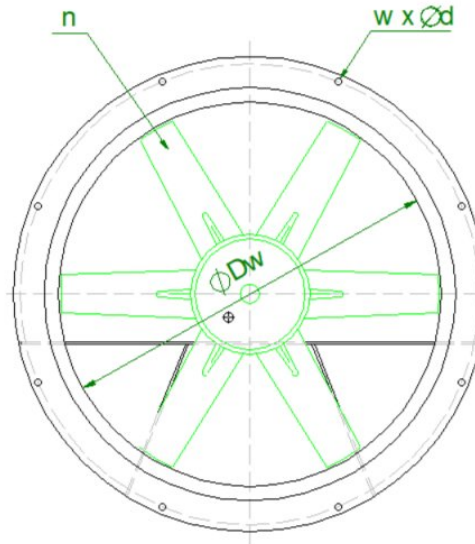


DRYING FANS - type WORS



TECHNICAL DIMENSIONS

Fan type	ØDw [mm]	Bo [mm]	Bw [mm]	ØD [mm]	ØDp [mm]	ØDo [mm]	w x Ød [mm]	Sg [mm]	n – No of blades	direction
WORS-400-AL/...	400	135	300	550	520	450	6 x 10	71, 80	4 - 8	A/B rev
WORS-450-AL/...	450	135	300	600	570	500	8 x 10	80	4 - 8	A/B rev
WORS-500-AL/...	500	140	300	650	620	540	8 x 10	80	8 - 9	A/B rev
WORS-600-AL/...	600	150	310	775	728	650	8 x 10	80, 90	9	A/B rev
WORS-710-AL/...	710	150	400	880	820	750	8 x 12	90, 100	9	A/B rev
WORS-800-AL/...	800	175	480	990	960	855	8 x 12	100, 112	9	A/B rev
WORS-900-AL/...	900	175	485	1110	1035	970	16 x 12	100, 112, 132	4 - 12	A/B rev
WORS-1000-AL/...	1000	200	500	1230	1155	1070	16 x 12	132	4 - 12	A/B rev